



SPS M105B Blue+ Battery®

Ideal for demanding marine PSOC cycling applications



The proven benefits of *Blue Star Technology*® now enhanced to deliver longer battery life in Partial State Of Charge (PSOC) applications

- + Exceptional power in a compact and versatile package
- + Ideal for demanding marine applications where charging is often to less than 100% State Of Charge (SOC)
- + High cycle life and fast recharge performance
- + Thin Plate Pure Lead (TPPL) technology results in longer battery life without compromising power and performance
- + Modified electrochemistry helps prevent accumulation of life-shortening and power-robbing sulphate crystals
- + Higher charge voltage - Faster charging
- + Operating temperature range -40°C to +65°C
- + High modulus Polyphenylene Oxide (PPO) plastic materials designed to withstand extended elevated operating temperatures
 - Non-halogenated, thermally sealed plastic casing
 - Flame retardant (UL 94 V0) and LOI of at least 28%
- + Partial State of Charge (PSOC) cycling technology

Visit our website to find out more www.CoastalClimateControl.com

SPS M105B Blue+ Battery®

Technical Specifications



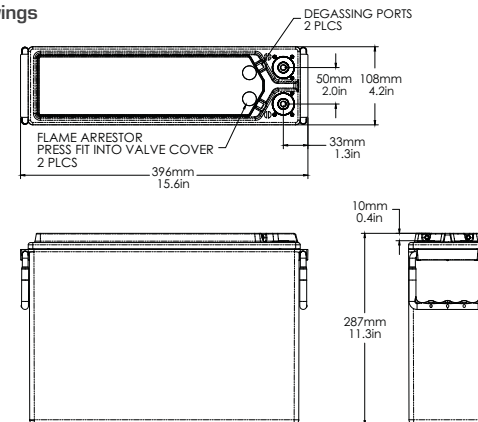
Electrical

20 hour Capacity to 1.75 VPC @ 25°C (77°F)	105 Amp/Hour
Reserve Minutes	220
Bulk Charge Voltage	14.8v @ 25°C (77°F)
Float Charge Voltage	13.6v @ 25°C (77°F)
Cold Cranking Amps (CCA)	820
Impedance (1kHz)	2.6 mΩ @ 25°C (77°F)
Conductance	1,846 S
Short Circuit Current	3,500 A
Maximum Charge Current	no limit

Dimensions

Height	287 mm (11.3 in)	Weight	35 kg (76 lbs)
Width	108 mm (4.2 in)	Terminal	Female M8 x 1.25
Depth	396 mm (15.6 in)	Terminal Torque	8.0 Nm (71 in-lbs)

Drawings



All NorthStar batteries are compliant with: Telcordia SR4228, Bellcore GR-63-Core, Issue 1; British, German, and Russian telecom standards; UL approved. NorthStar is registered to ISO 9001 and ISO 14001.



Coastal Climate Control, Inc.

www.CoastalClimateControl.com - info@CoastalClimateControl.com

301-352-5738 - Annapolis MD USA