


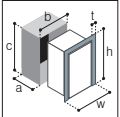


IMXT

Total volume Capacité total - Capacidad total	0.7 Cu. Ft.
Net weight Poids net - Peso neto	61.7 Lbs.

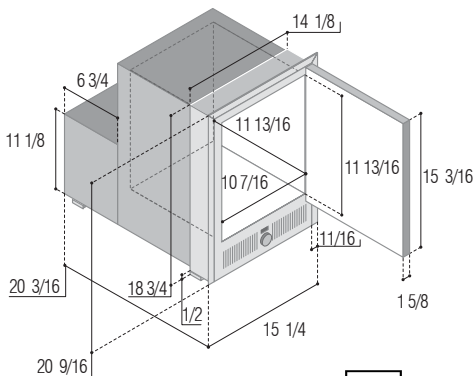
Available as - Disponible comme - Disponible cómo:

IMXTIXN1-F IMXTIXN1-S	115 Vac 60 Hz 241 W (2.95 A)	
IMXTIXN2-F IMXTIXN2-S	230 Vac 50 Hz 191 W (1.13 A)	
IMXTIXN5-F IMXTIXN5-S	12 Vdc 64 W (5.3 A)	

Flush Flange	Built-in Compartiment encastré Alojamiento empotrado	Mounting flange Cadre de fixation Perfil de fijación
	a: 21 15/16 b: 14 9/16 c: 18 13/16	t: 1 w: 16 1/4 h: 20 9/16

Dimensions and specifications subject to change

VITRIFRIGO



Coastal Climate Control, Inc.

www.CoastalClimateControl.com - info@CoastalClimateControl.com

301-352-5738 - Annapolis MD USA



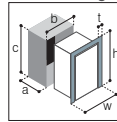
Total volume Capacité total - Capacidad totale	0.7 Cu. Ft.
Net weight Poids net - Peso neto	57.3 Lbs.

Available as - Disponible comme - Disponible cómo:

IMHYDIXN1-F IMHYDIXN1-S	115 Vac 60 Hz 168 W (2.32 A)	
IMHYDIXN2-F IMHYDIXN2-S	230 Vac 50 Hz 140 W (0.90 A)	
IMHYDIXN5-F IMHYDIXN5-S	12 Vdc 64 W (5.3 A)	

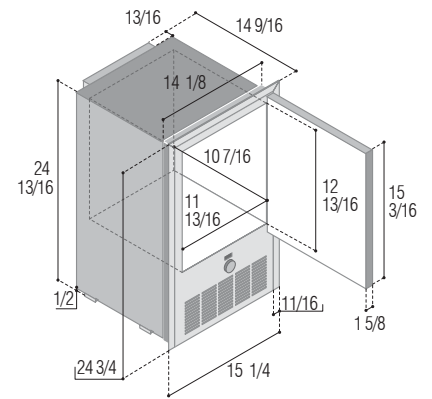
Dimensions and specifications subject to change

Flush Flange



Built in
a: 16.25"
b: 14.56"
c: 24.94"

Mounting Flange
t: 1.0"
w: 16.94"
h: 26.38"



ICEMAKER - Refillable

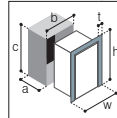
Total volume Capacité total - Capacidad totale	0.7 Cu. Ft.
Net weight Poids net - Peso neto	57.3 Lbs.

Available as - Disponible comme - Disponible cómo:

IMREFIXN1-F IMREFIXN1-S	115 Vac 60 Hz 168 W (2.32 A)	
IMREFIXN2-F IMREFIXN2-S	230 Vac 50 Hz 140 W (0.90 A)	
IMREFIXN5-F IMREFIXN5-S	12 Vdc 64 W (5.3 A)	

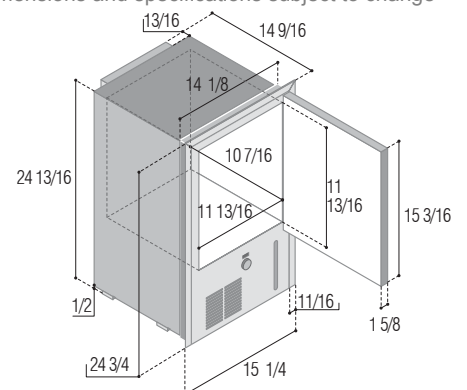
Dimensions and specifications subject to change

Flush Flange



Built-in
Compartiment encastrement
Alojamiento empotrado
a: 16 1/8
b: 14 9/16
c: 24 15/16

Mounting flange
Cadre de fixation
Perfil de fijación
t: 1
w: 16 5/16
h: 26 9/16



Coastal Climate Control, Inc.

www.CoastalClimateControl.com - info@CoastalClimateControl.com
301-352-5738 - Annapolis MD USA