

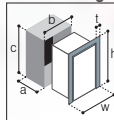


Also available in Stainless Steel

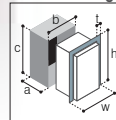
Mounting flange  
Cadre de fixation  
Perfil de fijación

t: 1  
w: 21  
h: 25 15/16

Flush Flange



Surface Flange



Built-in  
Compartiment encastrement  
Alojamiento empotrado

a: 21 3/4  
b: 19 1/8  
c: 24 1/2

a: 20 1/16  
b: 19 1/8  
c: 24 1/2

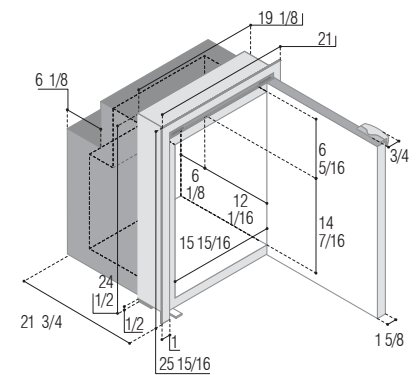
Total volume  
Capacité total - Capacidad total 3.1 Cu. Ft.

Freezer compartment  
Compartiment freezer - Congelador 0.3 Cu. Ft.

Net weight  
Poids net - Peso neto 51.8 Lbs.

Power supply and nominal consumption  
Alimentation et consommation nominale - Alimentación y consumo nominal  
12/24 Vdc 100-240 Vac 50/60 Hz  
12 Vdc 115 Vac 60 Hz  
40 W (3.38 A) 40 W (0.53 A)

Dimensions and specifications subject to change

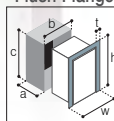


Also available in Stainless Steel

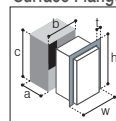
Mounting flange  
Cadre de fixation  
Perfil de fijación

t: 1  
w: 21 9/16  
h: 32 5/8

Flush Flange



Surface Flange



Built-in  
Compartiment encastrement  
Alojamiento empotrado

a: 18 1/4  
b: 19 11/16  
c: 31 3/16

a: 16 5/8  
b: 19 11/16  
c: 31 3/16

## C85IBD4-F

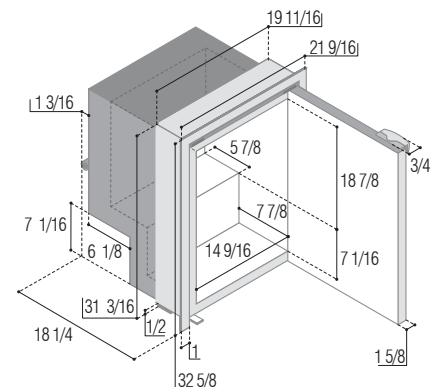
Total volume  
Capacité total - Capacidad total 3.2 Cu. Ft.

Freezer compartment  
Compartiment freezer - Congelador 0.4 Cu. Ft.

Net weight  
Poids net - Peso neto 58.4 Lbs.

Power supply and nominal consumption  
Alimentation et consommation nominale - Alimentación y consumo nominal  
12/24 Vdc 100-240 Vac 50/60 Hz  
12 Vdc 115 Vac 60 Hz  
40 W (3.38 A) 40 W (0.53 A)

Dimensions and specifications subject to change



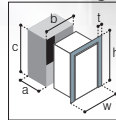


Also available in Stainless Steel

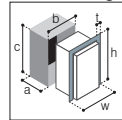
Mounting flange  
Cadre de fixation  
Perfil de fijación

t: 1  
w: 21  
h: 25 15/16

Flush Flange



Surface Flange



Built-in  
Compartment encastré  
Alojamiento empotrado

a: 17 15/16  
b: 19 1/8  
c: 24 1/2

a: 16 1/4  
b: 19 1/8  
c: 24 1/2

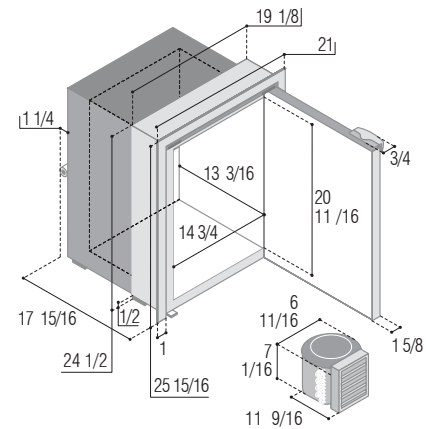
Total volume  
Capacité totale - Capacidad totale 2.6 Cu. Ft.

Freezer compartment  
Compartment freezer - Congelador 0.4 Cu. Ft.

Net weight  
Poids net - Peso neto 46.7 Lbs.

Power supply and nominal consumption  
Alimentation et consommation nominale - Alimentación y consumo nominal  
12/24 Vdc 100-240 Vac 50/60 Hz  
**12 Vdc** **115 Vac 60 Hz**  
40 W (3.38 A) 40 W (0.53 A)

Dimensions and specifications subject to change



Also available in Stainless Steel

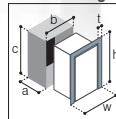
All-Refrigerator version available in Stainless Steel only



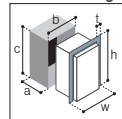
Mounting flange  
Cadre de fixation  
Perfil de fijación

t: 1  
w: 17 7/16  
h: 22 3/8

Flush Flange



Surface Flange



Built-in  
Compartment encastré  
Alojamiento empotrado

a: 14 15/16  
b: 15 9/16  
c: 21

a: 13 1/4  
b: 15 9/16  
c: 21

Total volume  
Capacité totale - Capacidad totale 1.4 Cu. Ft.

Freezer compartment  
Compartment freezer - Congelador 0.1 Cu. Ft.

Net weight  
Poids net - Peso neto 37.5 Lbs.

Power supply and nominal consumption  
Alimentation et consommation nominale - Alimentación y consumo nominal  
12/24 Vdc 100-240 Vac 50/60 Hz  
**12 Vdc** **115 Vac 60 Hz**  
31 W (2.58 A) 31 W (0.44 A)

Dimensions and specifications subject to change

